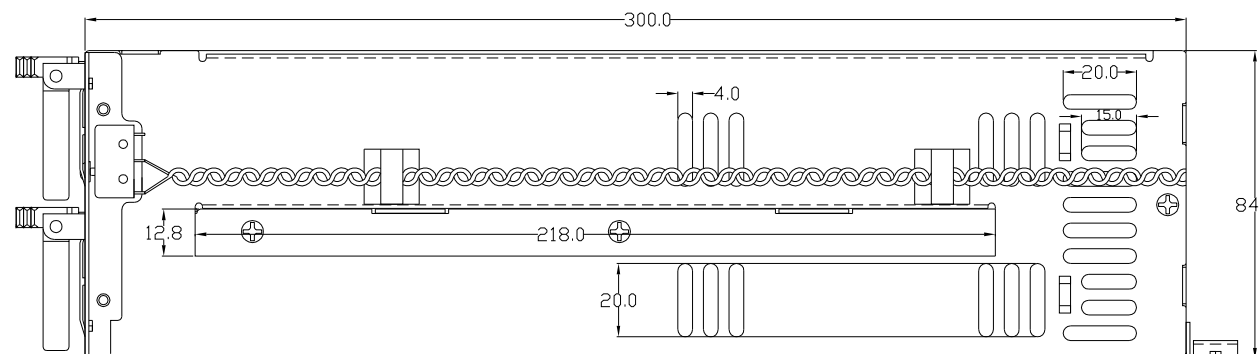
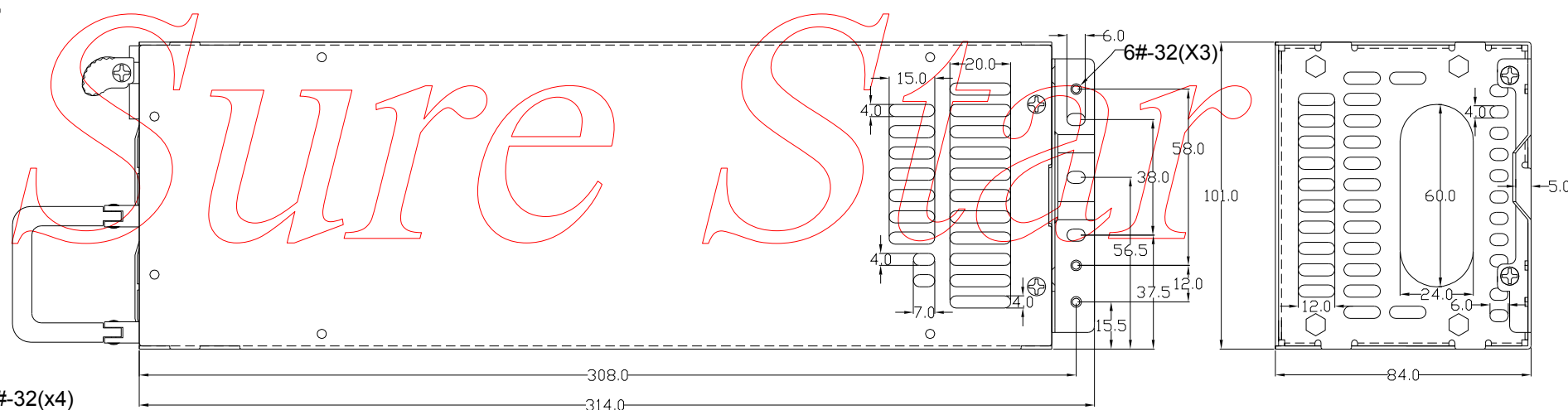
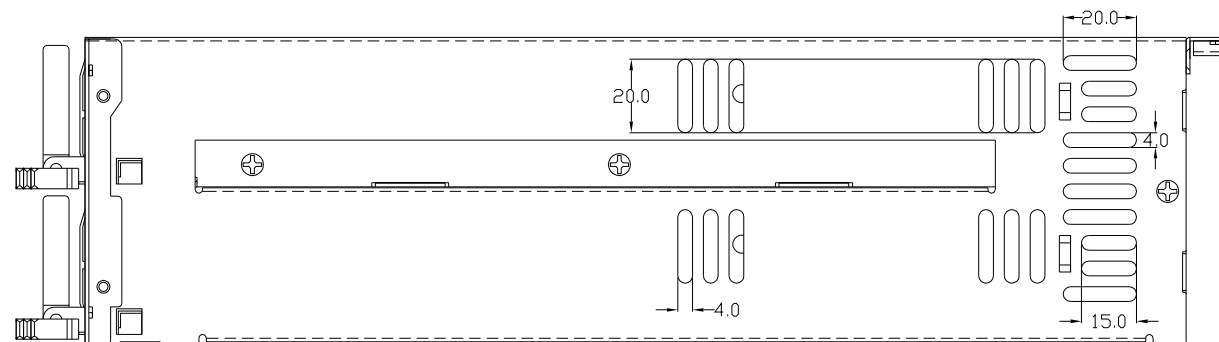
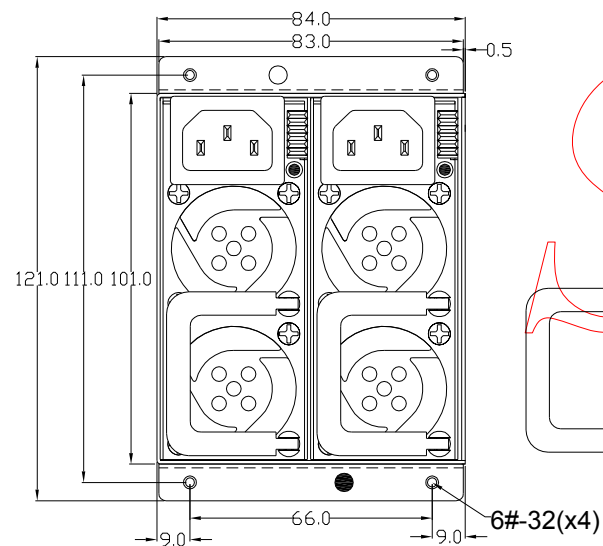


DIMENSION:300(D) x 101(W) x 84(H)mm

REVISIONS			
REV	DESCRIPTION	SING	DATE
			/ /



TOLERANCES: .XXX= ± .025 .XX= ± .1 .X= ± .2	SPPC T1.0			UNITS	mm		Sure Star MODEL NO TC-650_700RVN2
APPROVE BY 	CHECK BY	DRAW BY	DRAW NO	SHEET	OF		
PROJECTION: 				DATE	PART NO		