

DYNAPOWERUSA

Professional Power supply Industrial PC, Server, Storage
Best Solution Guide

Open Frame Type Switching Power Supply

65Watts Medical Single Output



FEATURES

- Compact, High Power density, 65W in 2" x 4" footprint
- Ultra low leakage current < 300uA @264VAC

ELECTRICAL SPECIFICATIONS

- Input range : 90 - 264VAC
- Frequency : 47 - 63Hz
- Power Factor : > 0.95 @115VAC; > 0.90 @230VAC @full load
- Inrush current : < 40A peak @115VAC; < 80A peak @230VAC cold start @25°C
- Input current (rms) : 2A @115VAC; 1A @230VAC max.
- Efficiency : > 80% typical @full load, 115VAC
- Maximum output power (Po) : 65 Watts convection cooling
- Hold-up time : > 10ms typical @full load, 115VAC
- Short circuit protection : Auto-recovery
- Over load protection : 110% to 180% maximum rating, Auto-recovery
- Over voltage protection : Shutdown abd latch off, AC recycle

RoHS compliant

Dimension : L101.6 × W50.8 × H27.5 mm (4" × 2" × 1.08")
Weight : 0.16 kgs. (0.35 lbs.)

SAFETY STANDARDS

UL/c-UL UL60601-1
TUV 60601-1
CB IEC 60601-1

EMC STANDARDS

EN60601-1-2
FCC Part 18 Class B
EN 55011 Class B
CE

ENVIRONMENTAL

- Operating temperature : 0 to +70°C (Derate linearly 2.5% per °C from 51 to 70°C)
- Storage temperature: -40°C to +85°C
- Humidity: Non-condensing 10% to 95%
- MTBF : > 100,000 hours @full load and 25°C ambient temperature

DC OUTPUT & FEATURES

✘ Other DC output 40W for 5-7V, 60W for 11-13V and 14-17V, 65W for 18-21V, 22-26V, 33-39V and 44-52V.

Model No.	Output Voltage	Minimum Load	Output Voltage Adjustable Range	Maximum Load Convection	Po	O/P Regulation	Ripple & Noise (Vp-p)
EJ-M040B-1Y050-PW	+5V	0A	+5V ~ +7V	8A	40W	±5%	190mV
EJ-M060B-1Y120-PW	+12V	0A	+11V ~ +13V	5A	60W	±3%	240mV
EJ-M060B-1Y150-PW	+15V	0A	+14V ~ +17V	4A	60W	±3%	280mV
EJ-M065B-1Y190-PW	+19V	0A	+18V ~ +21V	3.43A	65W	±3%	300mV
EJ-M065B-1Y240-PW	+24V	0A	+22V ~ +26V	2.71A	65W	±3%	360mV
EJ-M065B-1Y360-PW	+36V	0A	+33V ~ +39V	1.81A	65W	±2%	400mV
EJ-M065B-1Y480-PW	+48V	0A	+44V ~ +52V	1.36A	65W	±2%	480mV

Note:

1. At 25°C including initial tolerance, line voltage, load currents and output voltages adjusted to factory settings.
2. Ripple and noise are measured at oscilloscope 20MHz bandwidth by a 10uF electrolytic capacitor and a 0.1uF ceramic capacitor in parallel at output connector.

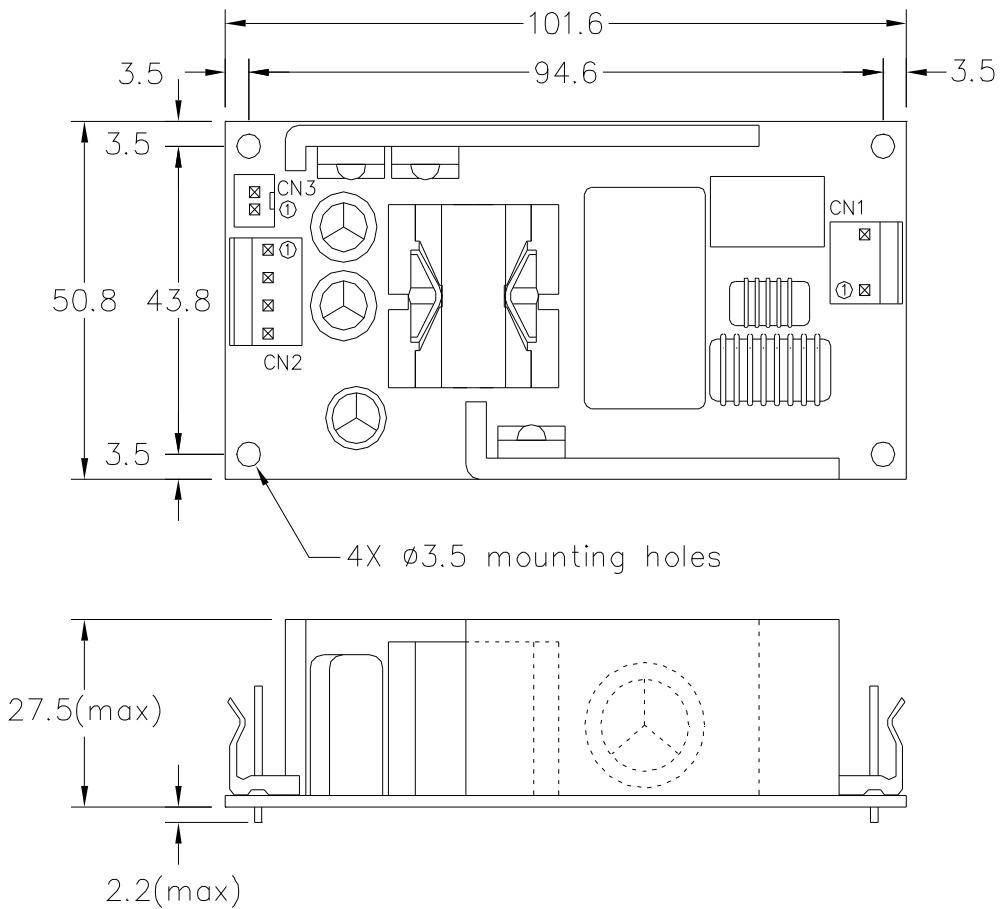
DYNAPOWERUSA

Professional Power supply Industrial PC, Server, Storage
Best Solution Guide

**65Watts Medical
Single Output**

Open Frame Type Switching Power Supply

MECHANICAL SPECIFICATION



MATCHING CONNECTORS

CN1: Input Connector

molex 09-65-2029 pitch: 7.92mm or equivalent, mates with female housing molex 09-76-1020 or equivalent

Pin #	Signal
1	AC Neutral
2	AC Line

CN3: Remote Sense Connector

JST B2B-XH-A pitch:2.5mm or equivalent, mates with female housing JST XHP-2 or equivalent

Pin #	Signal
1	+Vo Sense -
2	+Vo Sense +

CN2: Output Connector

molex 09-65-2048 pitch: 3.96mm or equivalent, mates with female housing molex 09-52-4044 or equivalent

Pin #	Signal
1	GND
2	GND
3	+Vo
4	+Vo